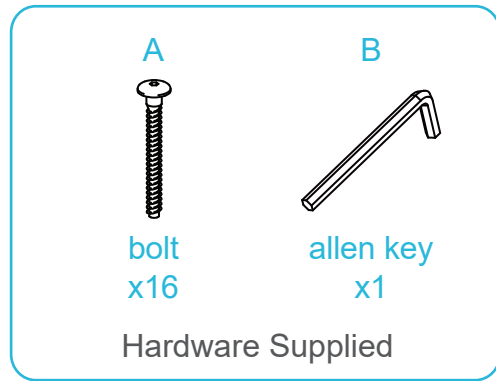


# Mocka Learning Tower

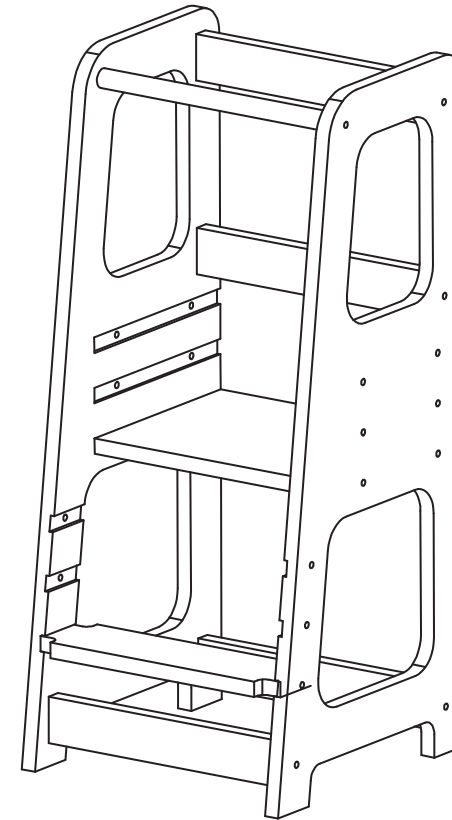
## Assembly Instructions

Thank you for your purchase.  
Please follow the instructions below for correct assembly.



ALL nuts and bolts must be checked and tightened before first use. Regularly check all screws are tight to ensure safety.

# mocka



**WARNING:** Due to the small size of the hardware and the sharp points of the screws, they are potentially hazardous.

Keep all assembly parts and packaging materials out of reach of children.

Retain packaging information for future reference.

Adult assembly required.

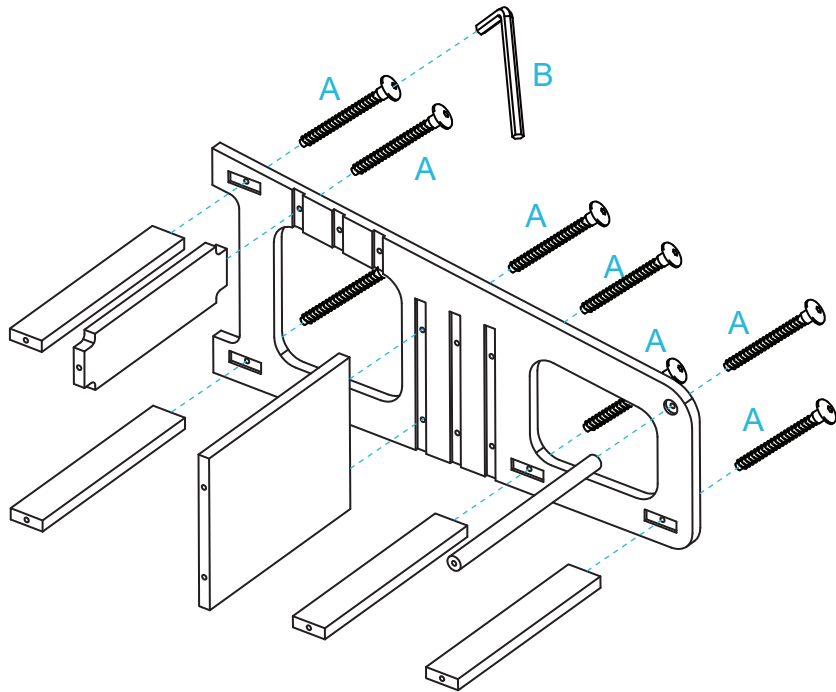
**Age recommendation 18 months +**

# Mocka Learning Tower

## Assembly Instructions

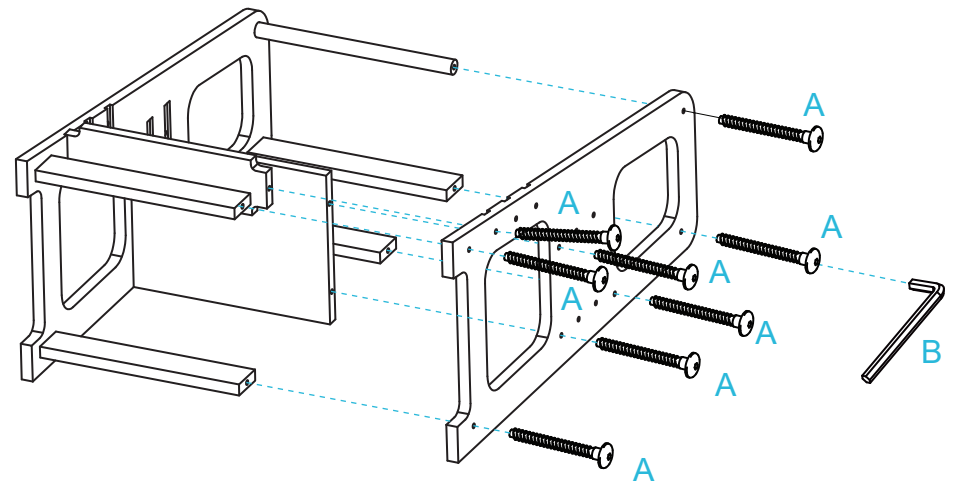
mocka

1



Attach all panels together as shown and secure with 8 x bolts (A).  
Tighten with an Allen Key (B).

2



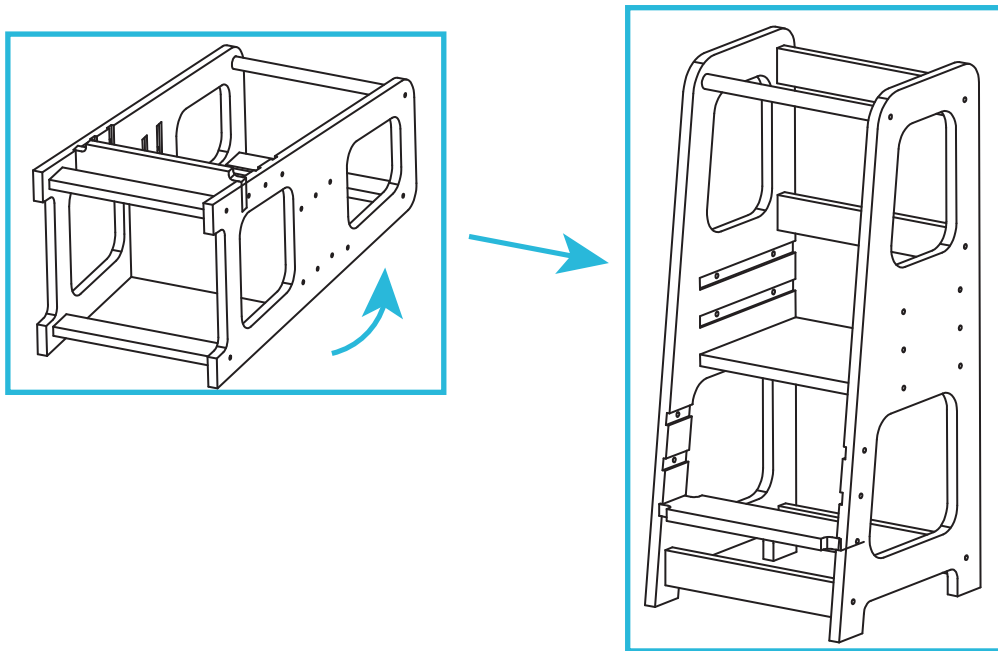
Attach all panels together as shown and secure with 8 x bolts (A).  
Tighten with an Allen Key (B).

# Mocka Learning Tower

## Assembly Instructions

mocka

3



Flip furniture onto side as shown. Once assembled lift furniture into place, do not drag. You're done, enjoy!